



GARNET III

PORCELAIN ON STEEL

33" x 22" SYNIRON® SELF-RIMMING DOUBLE BOWL SINK



DESCRIPTION:

The 33" x 22" self-rimming double bowl kitchen sink with SYNIRON®, affords you the look of solid elegance and structural integrity of cast iron. This self-rimming kitchen sink fits snugly into the countertop, eliminating

the cost of a chrome rim. The smooth high-tech styling is a cut above the standard high volume kitchen sink. Available in kitchen white and almond with 4-hole punching only.

Faucets not included.

ORDERING INFORMATION:

031-2960	SYNIRON self-rimming 4-hole punch
031-2961	SYNIRON self-rimming 3-hole punch
031-2962	SYNIRON self-rimming 5-hole punch

BOOTZ INDUSTRIES
1400 Park Street
P.O. Box 18010
Evansville, IN 47719-1010
Phone: (812) 423-5401 • FAX: (812) 429-2254
E-Mail: webmaster@bootz.com
Website: <http://www.bootz.com>



SPECIFICATIONS:

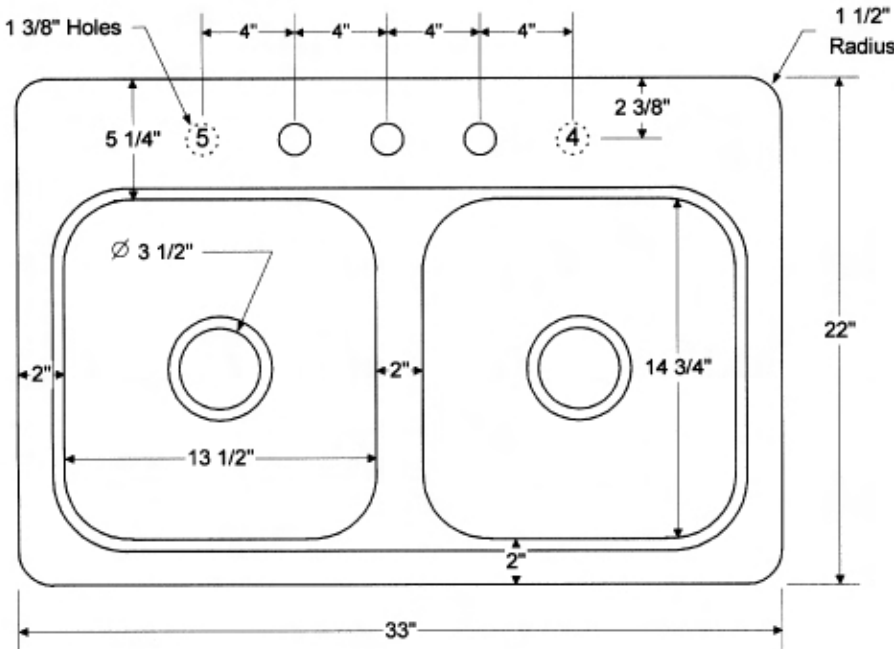
Dimensions: 33" x 22" x 7 3/16"
 Shipping Weight: Approx. 32 lbs.
 Material: Acid resistant
 porcelain on steel.

Complies with:
 ASME A112.19.1-2008/CSA B45.2-08
 ANSI Z124.1-1987
 WW-P-541
 HUD - FHA - VA



Standard Features:
 One piece construction of
 heavy gauge seamless steel with
 acid resistant porcelain enamel
 finish and SYNIRON®, 7 3/16"
 double bowl depth with 1 1/2"
 radius for retro-fit application.

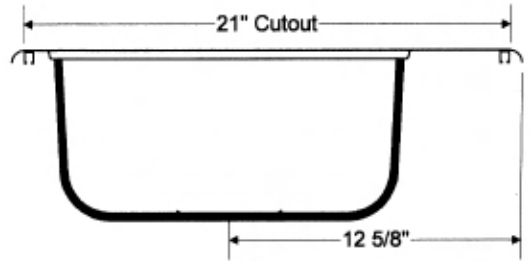
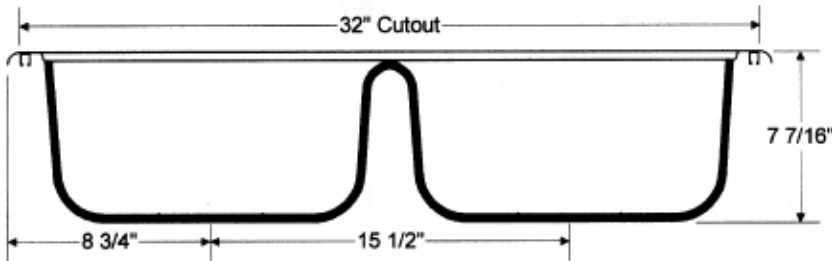
GARNET III SYNIRON® SELF-RIMMING DOUBLE BOWL SINK 031-2960, 2961, 2962



Garnet III
Synlon
Double Bowl Sink
Self-Rimming 33" X 22"
031-2960 4-hole
031-2961 3-hole
031-2962 5-hole

All Dimensions ± 1/8" unless otherwise noted.

031-2960.vsd



Dimensions shown are for reference. Actual dimensions may vary slightly and should be checked prior to installation.



BOOTZ INDUSTRIES
 1400 Park Street
 P.O. Box 18010
 Evansville, IN 47719-1010
 Phone: (812) 423-5401 • FAX: (812) 429-2254
 E-Mail: webmaster@bootz.com
 Website: <http://www.bootz.com>

