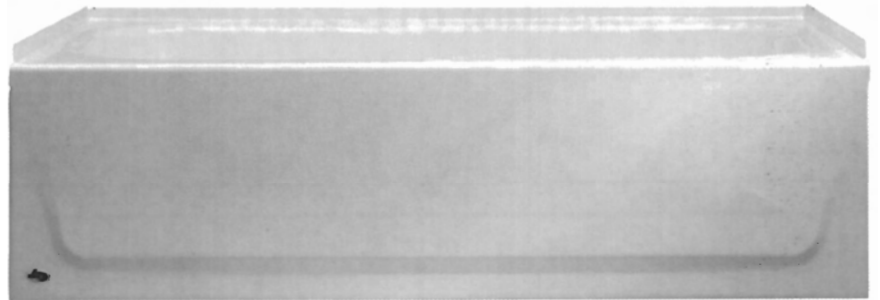




ALOHA

5' BATHTUB
PORCELAIN ON STEEL
Standard Outlet



Description:

The 5' Aloha is the industry's #1 selling bathtub. A full-length bathing area offering exceptional performance and roominess for recess applications. Free-standing on full-length sound

deadening support pad. Available in left or right hand with a slip resistant bottom. ASME A112.191-2008/CSA B45.2-2008 Made in the USA.

Ordering Information:

Standard Outlet

60" x 30" x 14 1/4"

011-2360 RH Drain, plain bottom (Canada only)

011-2361 LH Drain, plain bottom (Canada only)

011-2364 RH Drain, slip resistant bottom

011-2365 LH Drain, slip resistant bottom

Bootz Industries

1400 Park Street
PO Box 18010
Evansville, IN 47719-1010

Phone: (812) 423-5401 • Fax: (812) 429 2254

e-mail: webmaster@bootz.com

website: www.bootz.com



SPECIFICATIONS:

Dimensions:

Length: 60"
Width: 30"
Height: 14 1/4"
Sump Depth: 13 3/8"
Tile Flange: 1"

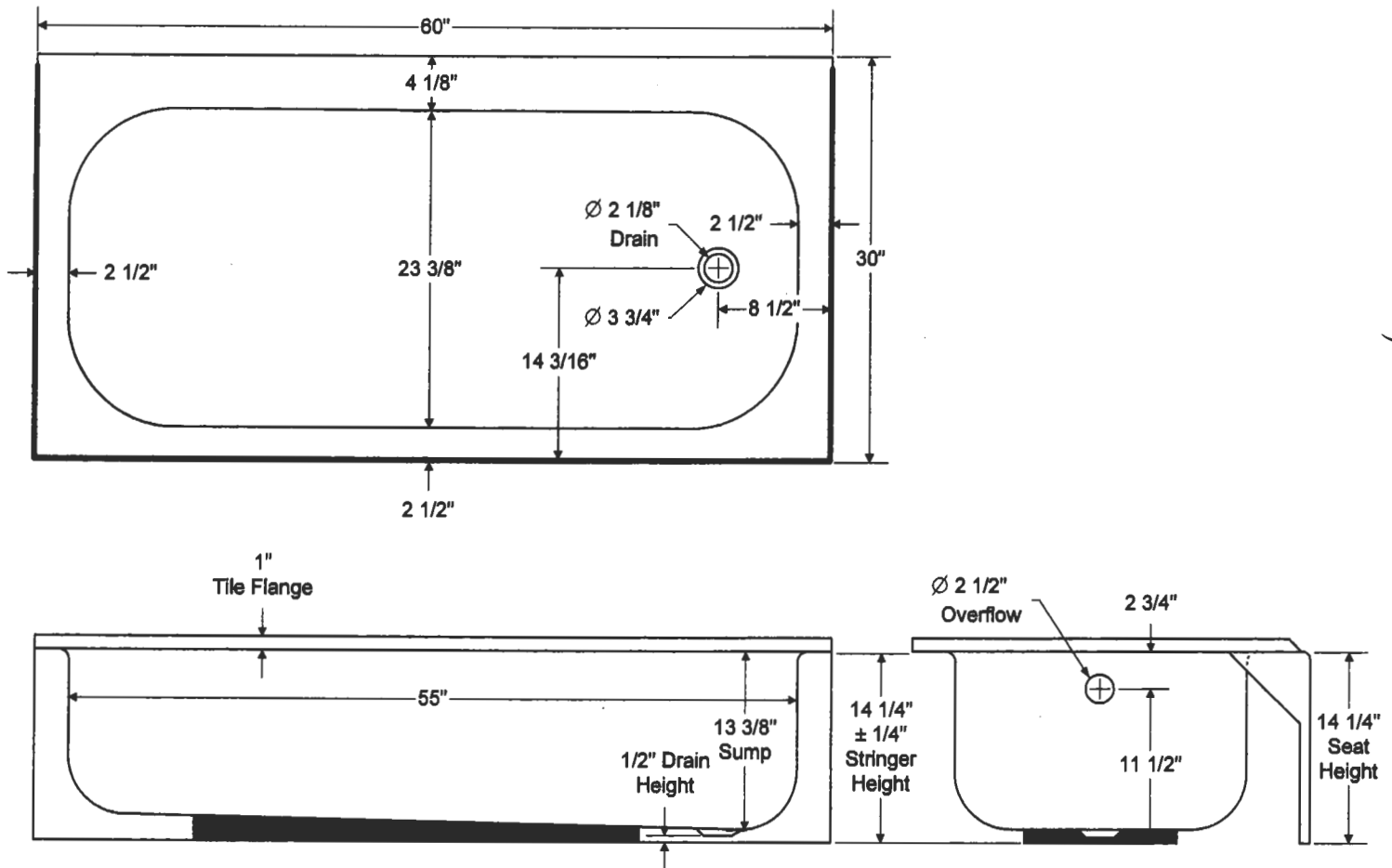
Complies with:

All fixtures are compatible or comply with ANSI, ASME, CSA, WW-P-541, HUD-FHA-VA, LEED, and the "Buy America Act" where applicable when installed accordingly.

Standard Features:

Made in the USA

5' Aloha - Bathtub: 011- 2360, 2361, 2364, 2365



All dimensions +/- 1/8" unless otherwise noted.

Dimensions shown are for reference. Actual dimensions may vary slightly and should be checked prior to installation.



Bootz Industries

1400 Park Street
PO Box 18010
Evansville, IN 47719-1010

Phone: (812) 423-5401 • Fax: (812) 429 2254

e-mail: webmaster@bootz.com

website: www.bootz.com